

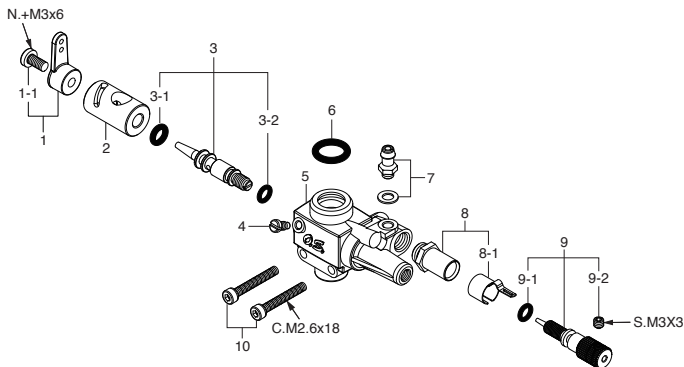
### CAP SCREW SETS (10pcs./sets)

Code No.	Size	Pcs. used in an engine
79871020	M2.6x7	Cam Cover Retaining Screw (2pcs.) Intake Manifold Retaining Screw (2pcs.)
79871030	M2.6x10	Rocker Cover Retaining Screw (4pcs.)
79871110	M3x8	Cover Plate Retaining Screw (4pcs.)
79871180	M3x18	Cylinder Head Retaining Screw (4pcs.)

\* Type of screw

C...Cap Screw M...Oval Fillister-Head Screw

F...Flat Head Screw N...Round Head Screw S...Set Screw



No.	Code No.	Description
1	47104200	Rocker Cover (1pc.)
2	40964000	Rocker Arm Shaft (1pc.)
3	44561200	Tappet Adjusting Screw (1pair)
4	40661100	Rocker Arm (1pc.)
5	46160400	Valve Spring Retainer (2pcs.)
6	40960300	Valve Spring Seat (1pc.)
7	45960210	Valve Spring (1pc.)
8	40660100	Valve (1pc.)
9	40604100	Cylinder Head (W/Gasket)
9-1	40614000	Cylinder Head Gasket (1pc.)
10	40603400	Piston Ring
11	40603200	Piston
12	40606000	Piston Pin
13	44605000	Connecting Rod
14	40603100	Cylinder Liner
15	40669400	Intake Manifold
16	40681000	Carburetor Complete (Type 61T)
17	40607000	Cover Plate
18	40602000	Crankshaft
19	40630000	Crankshaft Ball Bearing (Rear)
20	40601000	Crankcase
21	45231100	Camshaft Ball Bearing (1pc.)
22	45262010	Camshaft
23	40601100	Cam Cover
24	40604160	Push Rod (2pcs.)
25	45566310	Push Rod Cover "O" Ring (2pcs.)
26	40666100	Push Rod Cover (1pc.)
27	45664000	Cam Follower (2pcs.)
28	26531005	Crankshaft Ball Bearing (Front)
29	40608000	Drive Hub
30	45810100	Lock Nut Set
31	40625000	F-4050 Silencer Assembly
31-1	40625100	Silencer Body
31-2	40625400	Assembly Screw
31-3	44625410	Silencer Gasket (1pc.)
31-4	40626000	Exhaust Header Pipe Assembly
31-5	45626010	Exhaust Header Pipe Nut M10 (1pc.)
	71615009	Glow Plug Type F

No.	Code No.	Description
1	22081408	Throttle Lever Assembly
1-1	22081313	Throttle Lever Retaining Screw
2	40681200	Carburetor Rotor
3	44681600	Mixture Control Valve Assembly
3-1	46066319	"O" Ring (L) (2pcs.)
3-2	24881824	"O" Ring (S) (2pcs.)
4	21285220	Rotor Guide Screw
5	40681100	Carburetor Body
6	45115000	Carburetor Rubber Gasket (1pc.)
7	22681953	Fuel Inlet (No.1)
8	27381940	Needle Valve Holder Assembly
8-1	26711305	Ratchet Spring
9	44881970	Needle Assembly
9-1	24981837	"O" Ring (2pcs.)
9-2	26381501	Set Screw
10	79871055	Carburetor Retaining Screw (2pcs.)