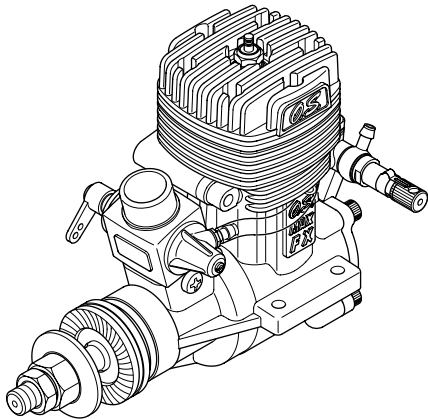

O.S. ENGINE MAX-50SX RING & 40, 46, 61, 91 'FX SERIES'

OWNER'S INSTRUCTION MANUAL

It is of vital importance, before attempting to operate your engine, to read the general **'SAFETY INSTRUCTIONS AND WARNINGS'** section on pages 2-6 of this booklet and to strictly adhere to the advice contained therein.

- Also, please study the entire contents of this instruction manual, so as to familiarize yourself with the controls and other features of the engine.
- Keep these instructions in a safe place so that you may readily refer to them whenever necessary.
- It is suggested that any instructions supplied with the aircraft, radio control equipment, etc., are accessible for checking at the same time.



CONTENTS

SAFETY INSTRUCTIONS AND WARNINGS ABOUT YOUR O.S. ENGINE-----	2~6	STARTING -----	17~18
FEATURES OF FX SERIES ENGINES, BEFORE INSTALLING THE ENGINE -----	7	RUNNING-IN (Breaking-in) -----	19~21
BASIC ENGINE PARTS -----	8	IDLING ADJUSTMENT CHART -----	22
NEEDLE-VALVE LOCATION -----	8~9	MIXTURE CONTROL VALVE ADJUSTMENT, REALIGNMENT OF MIXTURE CONTROL VALVE -----	23
INSTALLATION OF THE ENGINE -----	10	SUBSEQUENT STARTING PROCEDURE SUBSEQUENT READJUSTMENT -----	24
THROTTLE LINKAGE, SILENCER -----	11~12	CARBURETOR CLEANLINESS, ENGINE CARE AND MAINTENANCE -----	25
FUEL TANK LOCATION -----	12	ENGINE EXPLODED VIEWS & ENGINE PARTS LISTS -----	26~33
GLOWPLUG -----	13	CARBURETOR EXPLODED VIEWS & PARTS LISTS -----	34~35
FUEL, PROPELLERS -----	14~15	GENUINE O.S. PARTS & ACCESSORIES -----	36~37
MIXTURE CONTROLS -----	15	ENGINE THREE VIEW DRAWINGS -----	38~41
BEFORE STARTING -----	16~17	MEMO -----	42

SAFETY INSTRUCTIONS AND WARNINGS ABOUT YOUR O.S. ENGINE

Remember that your engine is not a "toy", but a highly efficient internal-combustion machine whose power is capable of harming you, or others, if it is misused.

As owner, you, alone, are responsible for the safe operation of your engine, so act with discretion and care at all times.

If at some future date, your O.S. engine is acquired by another person, we would respectfully request that these instructions are also passed on to its new owner.

- The advice which follows is grouped under two headings according to the degree of damage or danger which might arise through misuse or neglect.



WARNINGS

These cover events which might involve serious (in extreme circumstances, even fatal) injury.



NOTES

These cover the many other possibilities, generally less obvious sources of danger, but which, under certain circumstances, may also cause damage or injury.



WARNINGS

- Never touch, or allow any object to come into contact with, the rotating propeller and do not crouch over the engine when it is running.



- A weakened or loose propeller may disintegrate or be thrown off and, since propeller tip speeds with powerful engines may exceed 600 feet(180 metres) per second, it will be understood that such a failure could result in serious injury, (see 'NOTES' section relating to propeller safety).

- Model engine fuel is poisonous. Do not allow it to come into contact with the eyes or mouth. Always store it in a clearly marked container and out of the reach of children.



- Model engine fuel is also highly flammable. Keep it away from open flame, excessive heat, sources of sparks, or anything else which might ignite it. Do not smoke or allow anyone else to smoke, near to it.



- Never operate your engine in an enclosed space. Model engines, like automobile engines, exhaust deadly carbon-monoxide. Run your engine only in an open area.
- Model engines generate considerable heat. Do not touch any part of your engine until it has cooled. Contact with the muffler (silencer), cylinder head or exhaust header pipe, in particular, may result in a serious burn.





NOTES

- This engine was designed for model aircraft. Do not attempt to use it for any other purpose.
- Mount the engine in your model securely, following the manufacturers' recommendations, using appropriate screws and lock-nuts.
- Be sure to use the silencer (muffler) supplied with the engine. Frequent exposure to an open exhaust may eventually impair your hearing. Such noise is also likely to cause annoyance to others over a wide area.
- If you remove the glowplug from the engine and check its condition by connecting the battery leads to it, do not hold the plug with bare fingers. Use an appropriate tool or a folded piece of cloth.
- Install a top-quality propeller of the diameter and pitch specified for the engine and aircraft. Locate the propeller on the shaft so that the curved face of the blades faces forward-i.e. in the direction of flight. Firmly tighten the propeller nut, using the correct size wrench.



NOTES

- Always check the tightness of the propeller nut and retighten it, if necessary, before restarting the engine, particularly in the case of four-stroke-cycle engines. If a safety locknut assembly is provided with your engine, always use it. This will prevent the propeller from flying off in the event of a "backfire", even if it loosens.
- If you fit a spinner, make sure that it is a precision made product and that the slots for the propeller blades do not cut into the blade roots and weaken them.
- Preferably, use an electric starter. The wearing of safety glasses is also strongly recommended.
- Discard any propeller which has become split, cracked, nicked or otherwise rendered unsafe. Never attempt to repair such a propeller: destroy it. Do not modify a propeller in any way, unless you are highly experienced in tuning propellers for specialized competition work such as pylon-racing.
- Take care that the glow plug clip or battery leads do not come into contact with the propeller. Also check the linkage to the throttle arm. A disconnected linkage could also foul the propeller.
- After starting the engine, carry out any needle-valve readjustments from a safe position behind the rotating propeller. Stop the engine before attempting to make other adjustments to the carburetor.



NOTES

- Adjust the throttle linkage so that the engine stops when the throttle stick and trim lever on the transmitter are fully retarded. Alternatively, the engine may be stopped by cutting off the fuel supply. Never try to stop the engine physically.
- Take care that loose clothing (ties, shirt sleeves, scarves, etc.) do not come into contact with the propeller. Do not carry loose objects (such as pencils, screwdrivers, etc.) in a shirt pocket from where they could fall through the propeller arc.
- Do not start your engine in an area containing loose gravel or sand. The propeller may throw such material in your face and eyes and cause injury.
- For their safety, keep all onlookers (especially small children) well back (at least 20 feet or 6 meters) when preparing your model for flight. If you have to carry the model to the take-off point with the engine running, be especially cautious. Keep the propeller pointed away from you and walk well clear of spectators.
- Warning! Immediately after a glowplug-ignition engine has been run and is still warm, conditions sometimes exist whereby it is just possible for the engine to abruptly restart if the propeller is casually flipped over compression WITHOUT the glowplug battery being reconnected. Remember this if you wish to avoid the risk of a painfully rapped knuckle!

FEATURES OF FX SERIES ENGINES

- This range of engines is ideally suited to a variety of R/C aircraft, including trainer, sports, aerobatic and scale types.
- A separate precision-made needle-valve unit is installed at the rear, where manual adjustment is safely remote from the rotating propeller.
- With the 50SX, 61FX and 91FX, the needle-valve assembly can be installed either horizontally or vertically.

Common to accessories

Glow Plug No.8, Silicone Tube, Instruction Manual

50SX, 40/46FX	873 Silencer Assembly
61FX	E-4010 Silencer Assembly
91FX	E-4020 Silencer Assembly Needle Valve Extension Cable

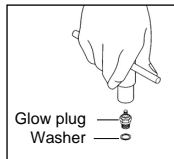
Note :

With these engines, the piston will feel tight at the top of its stroke when the engine is cold. This is normal. The piston and cylinder are designed to achieve a perfect running clearance when they reach their intended running temperature.

BEFORE INSTALLING THE ENGINE

Installing the glowplug

Carefully insert plug, with washer, fingertight only, before final tightening with the correct size plug wrench.



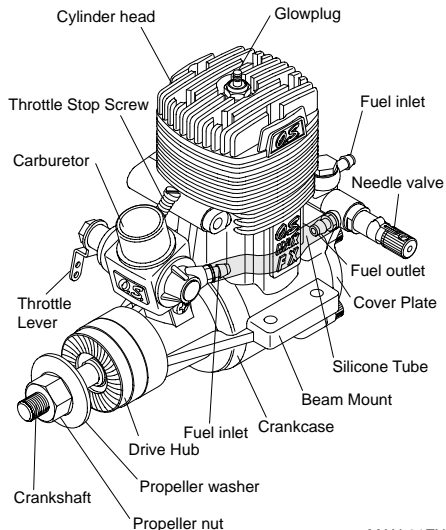
Connecting fuel tubing

Connect the short length of fuel tubing (supplied) securely between the needle-valve outlet and carburetor inlet as shown in the illustration on the next page.

In the event of the tubing becoming damaged, it should be replaced with a suitable length (as indicated below) of best quality 5mm ODx2mm ID silicone tubing. Use similar material to connect the fuel inlet nipple to the fuel tank.

Type of engines	Length	Type of engines	Length
50SX	54~56mm	61FX	54~56mm
40-46FX	44~46mm	91FX	62mm

BASIC ENGINE PARTS



MAX-61FX

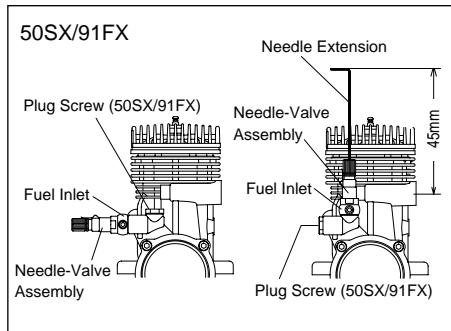
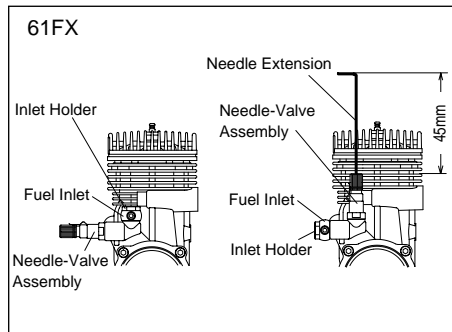
NEEDLE-VALVE LOCATION

As delivered from the factory, the MAX-61FX and MAX-91FXRING have their needle-valve assembly installed horizontally. However, if more convenient for a particular installation, the needle-valve may be reinstated vertically behind the cylinder. (See sketch opposite.) Please note that the needle-valve knob has a center hole and set-screw for the fitting of a piano-wire extension (supplied with the 91FX) so that, when relocated vertically, the extension enables adjustments to be made without risk of burning one's fingers on the cylinder head.

The procedure for relocating the needle-valve vertically is as follows:

1. Using 8mm wrench, remove complete needle-valve holder assembly including needle, from side of cover plate.
2. Remove fuel inlet assembly from upper boss of cover plate.
3. Transfer banjo type fuel inlet including washers, to needle-valve holder and carefully screw complete assembly into upper boss vacated by fuel inlet assembly. Tighten very carefully.

4. Use hexagon-head brass inlet holder (61FX) or plug screw (50SX/91FX) to blank off side boss vacated by needle-valve assembly.



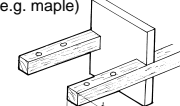
INSTALLATION OF THE ENGINE

Installation in the model

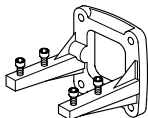
A typical method of beam mounting is shown below, left.

O.S. radial motor mount (Available as an optional extra part. See parts list)

Rigid hardwood (e.g. maple)



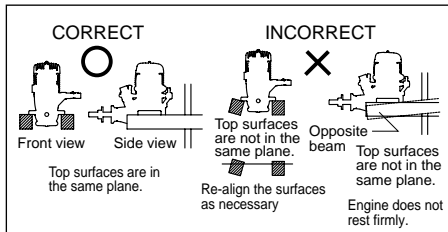
At least 15mm(5/8") At least 15mm(5/8")



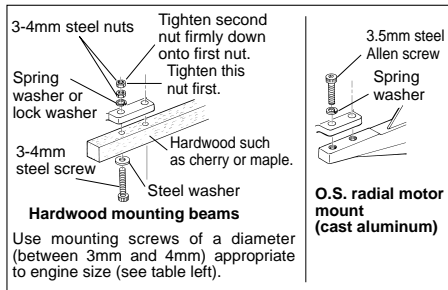
50SX	For 50SX, 40/46FX(Code No. 71913100)
40•46FX	
61•91FX	For 60FP, 61•91FX(Code No. 71905200)

Mounting Screw Size	
50SX, 40•46FX	3mm
61•91FX	4mm

Make sure that the mounting beams are parallel and that their top surfaces are in the same plane.



How to fasten the mounting screws.



THROTTLE LINKAGE

- Before connecting the throttle-lever / servo linkage, make sure that no part of the linkage interferes with the internal structure of the aircraft or wiring, etc., when the throttle is fully open or fully closed.
- Set the throttle lever linkage so that the throttle rotor is (a) fully open when the transmitter throttle stick is fully advanced and (b) fully closed when the throttle stick is fully retarded.

Adjustment of the throttle rotor opening at the idling position can then be made with the throttle trim lever on the transmitter.

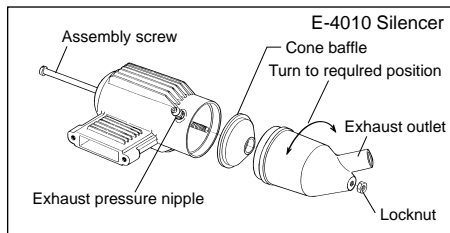
(Select throttle-lever and servo-horn hole positions that will avoid excessive pushrod travel causing the throttle to bind at either end.)

Note:

When adjusting the throttle lever angle, relative to the rotor, hold the rotor at about half-way between the open and closed positions while loosening and tightening the fixing screw, otherwise the rotor, rotor guide screw, throttle stop screw or carburettor body may become burred and damaged.

SILENCER

The exhaust outlet of the silencer can be rotated to any desired position in the following manner:



- 1) Loosen the locknut and assembly screw.
- 2) Set the exhaust outlet at the required position by rotating the rear part of the silencer.
- 3) Re-tighten the assembly screw, followed by the locknut.

NOTE :

The standard expansion-chamber type silencer is quite effective, but reduces power to some degree.

Reminder!

Model engines generate considerable heat. Do not touch any part of your engine until it has cooled.



Contact with the muffler (silencer), cylinder head or exhaust header pipe, in particular, may result in a serious burn.

Keep your hands and face away from exhaust gas or you will suffer a burn.

FUEL TANK LOCATION

Suggested fuel tank capacities are listed opposite.

These will allow 12-13 minute flights.

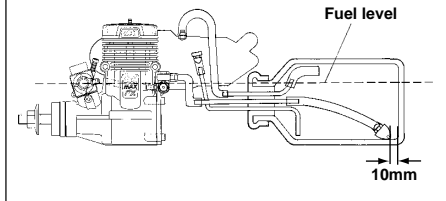
Locate the fuel tank so that the top of the tank is 5-10mm (1/4-3/8") above the level of the needle-valve.

- Be sure to use a pressurized fuel system by connecting the muffler pressure nipple to the vent-pipe of the fuel tank.

Suggested Fuel Tank Capacities

50SX 40-46FX	approx 300cc	61FX	approx 350cc
		91FX	approx 450cc

Attention to tank height



GLOWPLUG

Since the glowplug and fuel combination used may have a marked effect on performance and reliability, it would be worthwhile to experiment with different plug types.

Recommended O.S. plugs are Nos. 8, A5 and A3.

Carefully install plug finger-tight, before final tightening with the correct size plug wrench.

The role of the glowplug

With a glowplug engine, ignition is initiated by the application of a 1.5-volt power source. When the battery is disconnected, the heat retained within the combustion chamber remains sufficient to keep the plug filament glowing, thereby continuing to keep the engine running. Ignition timing is 'automatic' : under reduced load, allowing higher rpm, the plug becomes hotter and, appropriately, fires the fuel/air charge earlier; conversely, at reduced rpm, the plug become cooler and ignition is retarded.

Glowplug life

Particularly in the case of very high performance engines, glowplugs must be regarded as expendable. However, plug life can be extended and engine performance maintained by careful use, i.e.:

- Install a plug suitable for the engine.
- Use fuel containing a moderate percentage of nitromethane unless more is essential for racing events.
- Do not run the engine too lean and do not leave the battery connected while adjusting the needle.

When to replace the glowplug

Apart from when actually burned out, a plug may need to be replaced because it no longer delivers its best performance, such as when:

- Filament surface has roughened and turned white.
- Filament coil has become distorted.
- Foreign matter has adhered to filament or plug body has corroded.
- Engine tends to cut out when idling.
- Starting qualities deteriorate.

FUEL

Select, by practical tests, the most suitable fuel from among the best quality fuels available in your country for model use. For the best performance, a fuel containing 5% to 20% nitromethane is preferable. Lubricants may be either castor-oil or a suitable synthetic oil (or a blend of both) provided that they are always of top quality.

For consistent performance and long engine life, it is essential to use fuel containing AT LEAST 18% lubricant by volume. Some fuels containing coloring additives tend to deteriorate and may adversely affect running qualities.

Once a satisfactory fuel has been selected and used for a while, it may be unwise to needlessly change the brand or type. In any engine, a change of fuel may cause carbon deposits in the combustion chamber or on the piston head to become detached and lodged elsewhere, with the risk of this causing unreliable operation for a while. If, however, the adoption of a different fuel is unavoidable, check the engine for the first few flights on the new fuel, by temporarily reverting to the running-in procedure.

Reminder!



Model engine fuel is poisonous. Do not allow it to come into contact with the eyes or mouth. Always store it in a clearly marked container and out of the reach of children.

Reminder!



Model engine fuel is also highly flammable. Keep it away from open flame, excessive heat, sources of sparks, or anything else which might ignite it. Do not smoke, or allow anyone else to smoke, near to it.

PROPELLERS

Suggested propeller sizes are listed on page 15. The suitability of the prop depends on the size and weight of the model and type of flying. Determine the best size and type after the engine has been run in. Check the balance of the propeller before fitting it to the engine. Unbalanced propellers cause vibration and loss of power. Wooden propellers are to be preferred. Some nylon propellers are not strong enough to withstand the high power output of these engines and a thrown blade can be very dangerous.

	Sport	Aerobatic
50SX	11X6~10,12X6	12X7~9
40FX	10X6,10.5X6,11X6~7	
46FX	10.5X6,11X6~8,12X6~7	11X8~10,12X7~9 (tuned silencer used)
61FX	12X6~8,13X6~7	12X9~11 (tuned silencer used)
91FXRING	15X8,16X6~8,17X6 14X7 (3-blade)	13X11~13,14X10~11

Reminder!



Never touch, or allow any object to come into contact with, the rotating propeller and do not crouch over the engine when it is running.

MIXTURE CONTROLS

Two mixture controls are provided on these engines.

- **The Needle Valve (at rear of engine)**

When set to produce maximum power at full throttle, this establishes the basic fuel/air mixture strength. The correct mixture is then maintained by the carburetor's built-in automatic mixture control system to cover the engine's requirements at reduced throttle settings.

- **The Mixture Control Valve (carburetor)**

This meters fuel flow at part-throttle and idling speeds to ensure reliable operation as the throttle is opened and closed. The Mixture Control Valve is factory set for the approximate best result. First run the engine as received and readjust the Mixture Control Screw only if necessary.

Type of Carburetor

50SX	40B	61FX	60C
40•46FX		91FX	60F

BEFORE STARTING

Tools, accessories, etc.

The following items are necessary for operating the engine.

1 Fuel

Model glowplug engine fuel of good quality, preferably containing a small percentage of nitromethane.

2 Glowplug

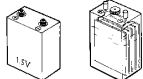
O.S. No.8 glowplug is fitted to the engine.

3 Propeller

Suggested size is 10x6(40FX), 11X6 (46FX), 12X6 (50SX, 61FX), or 15x8(91FX) .

4 Glowplug battery

The power source for heating the glowplug may be either a large heavy-duty 1.5volt dry cell, or preferably, a 2-volt rechargeable lead-acid cell (accumulator).

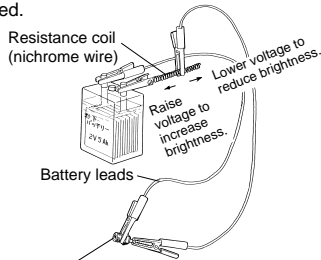


1.5 volt heavy-duty dry battery or 2 volt rechargeable lead-acid cell (at least 5Ah)

If a 2-volt cell is employed, use a resistance wire, as shown, to reduce applied voltage, otherwise element will overheat and burn out.

Warning (Very hot)

Never touch the nichrome wire while the battery is connected.



Adjust applied voltage by changing the position of clip on resistance coil until glowplug element is glowing bright red.

5 Battery leads

These are used to conduct current from the battery to the glowplug. Basically, two leads, with clips, are required, but, for greater convenience, twin leads with special glowplug connectors, as shown on the right, are commercially available.

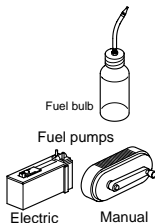


6 Fuel tank

For installation in the model, a 300cc (10.6oz.) for 50SX and 40,46FX, a 350cc (12oz.) for 61FX, a 450cc (15.8oz.) for 91FX tank, is suggested.

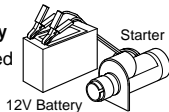
7 Fuel bottle or pump

For filling the fuel tank, a simple, polyethylene "squeeze" bottle, with a suitable spout, is all that is required. Alternatively, one of the purpose-made manual or electric fuel pumps may be used to transfer fuel directly from your fuel container to the fuel tank.



8 Electric starter and starter battery

An electric starter is recommended for starting.



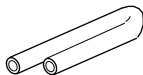
9 Fuel can filter

Fit a filter to the outlet tube of your refuelling container to prevent entry of foreign matter into the fuel tank.



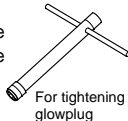
10 Silicone tubing

This is required for the connection between the fuel tank and engine.



11 Plug wrench

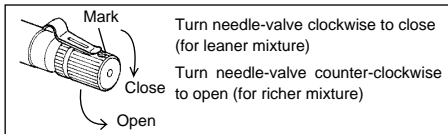
Used for tightening glowplug. The O.S. long plug wrench is available as an optional accessory.



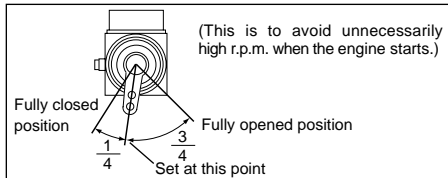
STARTING

1. Install appropriate propeller and tighten securely.
2. To facilitate electric starting, Install an O.S. solid aluminium alloy spinner-nut for centering the rubber drive insert of the starter. Alternatively, a good quality spinner, enclosing the propeller boss, may be used, but make sure that it is of precision-made and sturdy construction so that the spinner shell cannot loosen when the starter is used. Close the throttle.

3. Fill the fuel tank. Do not allow fuel to overflow into the silencer, otherwise the engine may become flooded and difficult to start.
4. Check that the needle-valve is closed. (Do not overtighten.) Now open the needle-valve counter-clockwise to the starting setting:-
 - $1\frac{1}{2}$ ~2 turns for 50SX,40,46,61FX
 - $2\sim 2\frac{1}{2}$ turns for 91FX
 - $3\sim 4$ turns for 61FX when a tuned silencer is used.



5. Open the throttle approx. one-quarter.



6. Connect battery leads to glowplug.
7. Bring electric starter into contact with spinner-nut or spinner and depress starter switch for one or two seconds. Repeat if necessary.
When the engine starts, withdraw the starter immediately.

Attention :

Do not choke the carburettor air intake when applying the starter. This could cause an excessive amount of fuel to be drawn into the cylinder which may initiate an hydraulic lock and damage the engine.

If the engine does not start within 10 repeat applications of the starter, remove the glow-plug, check that it glows brightly and that the cylinder is not flooded with fuel. (To eject excess fuel, close needle-valve and apply starter with glowplug removed.) Then try again.

VERY IMPORTANT!

Before being operated at full power (i.e. at full-throttle and with the needle-valve closed to its optimum setting) the engine must be adequately run-in, otherwise there is a danger of it becoming overheated and damaged.

RUNNING-IN ("Breaking-in")

All internal-combustion engines benefit from extra care when they are run for the first few times known as running-in or breaking-in.

This allows the working parts to mate together under load at operating temperature. Therefore, it is vitally important to complete the break-in before allowing the engine to run continuously at high speed and before finalizing carburetor adjustments.

However, because O.S. engines are produced with the aid of the finest modern precision machinery and from the best and most suitable materials, only a short and simple running-in procedure is called for and can be carried out with the engine installed in the model. The process is as follows.

1. Install the engine with the propeller intended for your model. Open the needle-valve to the advised starting setting and start the engine. If the engine stops when the glow plug battery disconnected, open the needle-valve to the point where the engine does not stop. Run the engine for one minute with the throttle fully open, but with the needle-valve adjusted for rich, slow "four-cycle" operation.
2. Now close the needle-valve until the engine speeds up to "two-cycle" operation and allow it to run for about 10 seconds, then reopen the needle-valve to bring the engine back to "four-cycle" operation and run it for another 10 seconds. Repeat this procedure until the fuel tank is empty.
3. Re-start and adjust the needle-valve so that the engine just breaks into "two-cycle" from "four-cycle" operation, then make three or four flights, avoiding successive "nose-up" flights.
4. During subsequent flights, the needle-valve can be gradually closed to give more power. However, if the engine shows signs of running too lean, the next flight should be set rich. After a total of ten to fifteen flights, the engine should run continuously, on its optimum needle-valve setting, without loss of power as it warms up.
5. After the completion of the running-in adjust the carburetor at optimum setting referring to MIXTURE CONTROL VALVE ADJUSTMENT section and SUBSEQUENT READJUSTMENT section.

Optimum needle setting(1)

Slowly advance the throttle to its fully open position, then gradually close the needle-valve until the exhaust note begins to change. (4-cycle to 2-cycle)

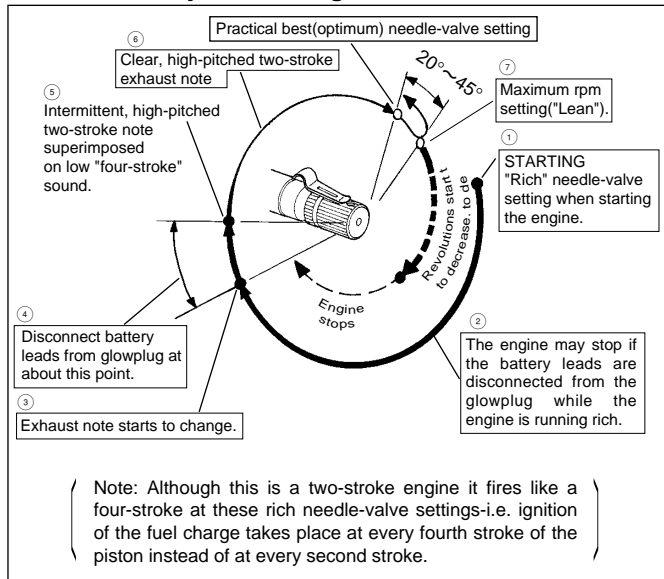
At this point, disconnect the battery from the glowplug, taking care that the battery leads or glowplug clip do not come into contact with the rotating propeller. If the engine stops when the battery is disconnected, close the needle-valve about 30° and restart.

Optimum needle setting(2)

As the needle-valve is closed slowly and gradually, the engine r.p.m. will increase and a continuous high-pitched exhaust note, only, will be heard. Close the needle-valve 10-15° and wait for the change of r.p.m.

After the engine r.p.m. increases turn the needle-valve another 10-15° and wait for the next change of r.p.m. As the speed of the engine does not instantly change with needle-valve readjustment, small movements, with pauses between, are necessary to arrive at the optimum setting.

Needle-valve adjustment diagram



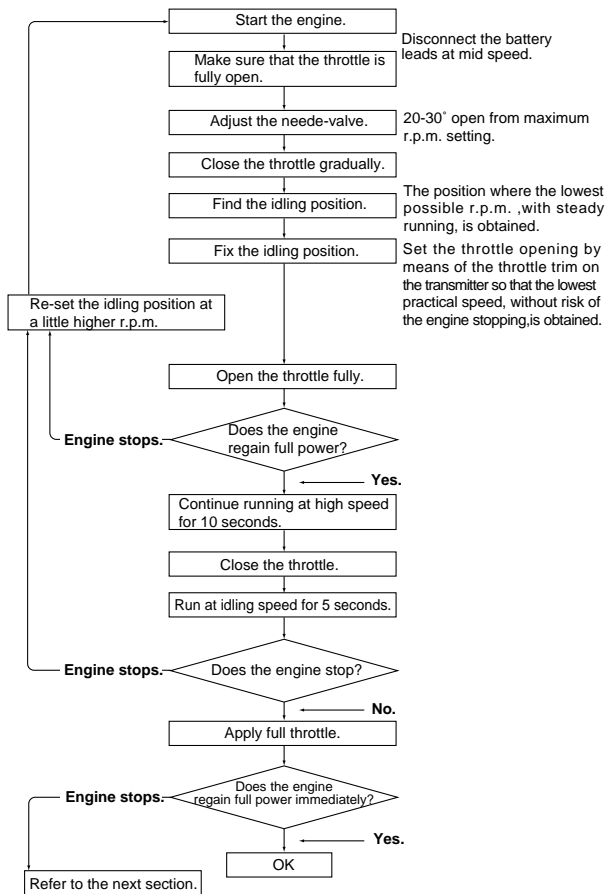
Note :

This diagram is for reference purposes only.

Actual needle positions may differ from those shown.

- To stop the engine, close the throttle completely to cut off fuel/air supply.

IDLING ADJUSTMENT CHART



MIXTURE CONTROL VALVE ADJUSTMENT

With the engine running, close the throttle and allow it to idle for about five seconds, then open the throttle fully. If, at this point, the engine is slow to pick up and produces an excess of exhaust smoke, the mixture is too rich. Correct this condition by turning the Mixture Control Screw clockwise 15-30°. If the mixture is excessively rich, engine rpm will become unstable: opening the throttle will produce a great deal of smoke and rpm may drop suddenly or the engine may stop. This condition may also be initiated by excessively prolonged idling.

If, on the other hand, the mixture is too lean, this will be indicated by a marked lack of exhaust smoke and a tendency for the engine to cut out when the throttle is opened. In this case, turn the Mixture Control Screw counter-clockwise 90° to positively enrich the idle mixture, then turn the screw clockwise gradually until the engine regains full power cleanly when the throttle is reopened.

Carry out adjustments patiently until the engine responds quickly and positively to the throttle control.

Note: Mixture Control Valve adjustments should be made in steps of 15-30° initially, carefully checking the effect, on throttle response, of each small adjustment.

REALIGNMENT OF MIXTURE CONTROL VALVE

In the course of making carburetor adjustments, it is just possible that the Mixture Control Valve may be inadvertently screwed in or out too far and thereby moved beyond its effective adjustment range.

Its basic setting can be re-established as follows:

Close the throttle rotor gradually from the fully opened position until it is just fully closed.

(Do not turn further.) Then, screw in the Mixture Control Screw until it stops. Now unscrew the Mixture Control Screw as indicated below.

50SX 40 · 46FX	approx 1½ turn	61FX	approx ½ turns
		91FX	approx 2½ turns

SUBSEQUENT STARTING PROCEDURE

Once the optimum needle-valve setting has been established (see page 19, Needle-valve adjustment diagram) the procedure for starting may be simplified as follows.

1. Open the needle-valve one half-turn (180°) from the optimum setting.
2. Set the throttle one-quarter open from the fully closed position, energize the glowplug and apply the electric starter. When the engine starts, re-open the throttle and re-adjust the needle-valve to the optimum setting.

Note:

When re-starting the engine on the same day, provided that atmospheric conditions have not changed significantly, it may be practicable to re-start the engine on its optimum(running) setting.

SUBSEQUENT READJUSTMENT

Once the engine has been run-in and the controls properly set up, it should be unnecessary to alter the mixture settings; except to make minor adjustments to the Needle-Valve occasionally, to take account of variations in climatic conditions.

The use of a different fuel, however, particularly one containing more, or less, nitromethane and/or a different type or proportion of lubricating oil, is likely to call for some readjustment of the Needle-Valve.

Remember that, as a safety measure, it is advisable to increase the Needle-Valve opening by an extra half-turn counter-clockwise, prior to establishing a new setting. The same applies if the silencer type is changed.

A different silencer may alter the exhaust pressure applied to the fuel feed and call for a revised Needle-Valve setting. The use of a different glowplug may also require compensating carburetor readjustments.

CARBURETOR CLEANLINESS

The correct functioning of the carburetor depends on its small fuel orifices remaining clear. The minute particles of foreign matter that are present in any fuel, can easily partially obstruct these orifices and upset mixture strength so that engine performance becomes erratic and unreliable.

O.S.'Super-Filters'(large and small) are available, as optional extras, to deal with this problem.

One of these filters, fitted to the outlet tube inside your refueling container, will prevent the entry of foreign material into the fuel tank.

It is also recommended that a good in-line filter be installed between the tank and needle-valve.

Do not forget to clean the filters regularly to remove dirt and lint that accumulate on the filter screen.

Also, clean the carburetor itself occasionally.

ENGINE CARE AND MAINTENANCE

1. At the end of each operating session, drain out any fuel that may remain in the fuel tank.
2. Next, energize the glowplug and try to restart the engine to burn off any fuel that may remain inside the engine. Repeat this procedure until the engine fails to fire. Remove the glowplug and eject any residue by rotating the engine with an electric starter for 4 to 5 seconds while the engine is still warm.
3. Finally, inject some after-run oil into the engine. Rotate the engine a few times by hand, to make sure that it is free, and then with an electric starter for 4 to 5 seconds to distribute the oil to all the working parts.

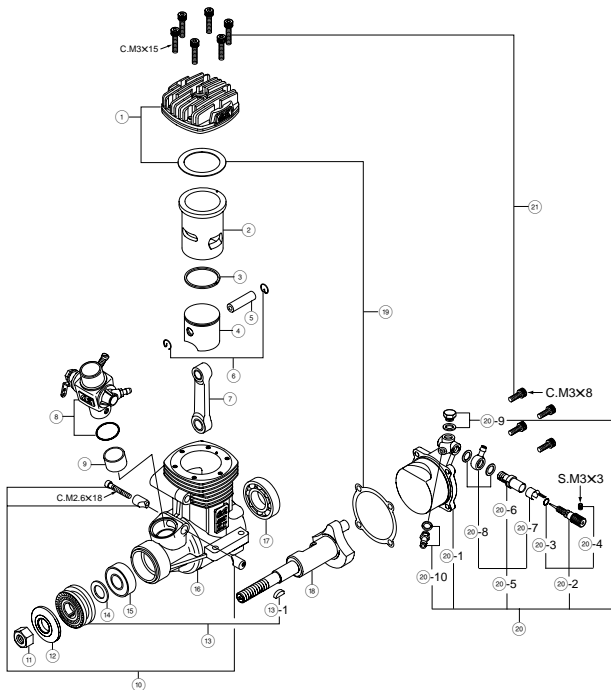
Note:

Do not inject after-run oil into the carburetor as this may cause the O-ring inside the carburetor to deteriorate.

These procedures will reduce the risk of starting difficulties and of internal corrosion after a period of storage.

EXPLODED VIEW (50SX)

—26—



* Type of screw

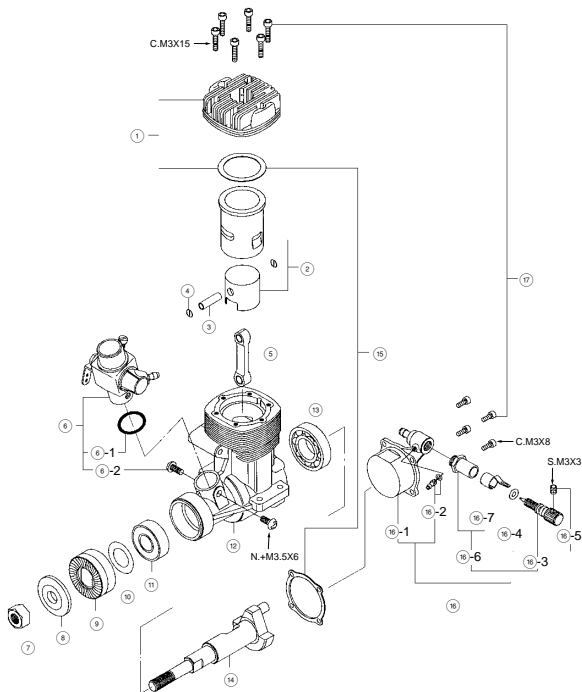
C...Cap Screw F...Flat Head Screw N...Round Head Screw S...Set Screw

ENGINEN PARTS LIST (50SX)

No.	Code No.	Description
①	25204010	Cylinder Head
②	25203100	Cylinder Liner
③	25303400	Piston Ring
④	25203200	Piston
⑤	25206000	Piston Pin
⑥	25217000	Piston Pin Retainers
⑦	25205000	Connecting Rod
⑧	25681010	Carburetor (Type 40B)
⑨	25281140	Carburetor Spacer
⑩	23981700	Carburetor Retainer
⑪	23210007	Propeller Nut
⑫	23209003	Propeller Washer
⑬	27708010	Drive Hub
⑬-1	27708200	Woodruff Key
⑭	46120000	Thrust Washer
⑮	26731002	Crankshaft Ball Bearing (F)
⑯	25201000	Crankcase
⑰	26730005	Crankshaft Ball Bearing (R)
⑱	25202010	Crankshaft
⑲	25214000	Gasket Set
⑳	25207010	Cover Plate Assembly
⑳-1	25207100	Cover Plate Body
⑳-2	24081970	Needle
⑳-3	24981837	"O"Ring
⑳-4	26381501	Set Screw
⑳-5	46181940	Needle Valve Holder Assembly
⑳-6	46181941	Needle Valve Holder
⑳-7	26711305	Ratchet Spring
⑳-8	46181950	Fuel Inlet
⑳-9	22881300	Plug Screw
⑳-10	22681953	Fuel Outlet
㉑	25613000	Screw Set
	71608001	Glow Plug No.8
	25425000	873 Silencer Assembly
	22681957	Pressure Fitting
	25425310	Assembly Screw
	25425400	Retaining Screw (2pcs.)

Specifications are subject to alteration for improvement without notice.

EXPLODED VIEW (40,46FX)



—28—

*Type of screw

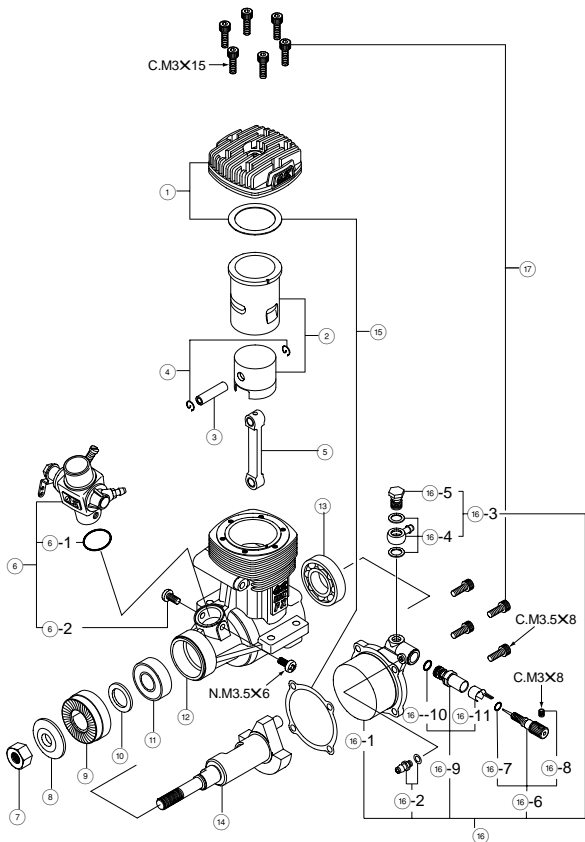
C...Cap Screw F...Flat Head Screw N...Round Head Screw S...Set Screw

ENGINEN PARTS LIST (40,46FX)

No.	Description	Code No.	
		40FX	46FX
①	Cylinder Head	25604000	25604010
②	Cylinder & Piston Assembly	25603000	25603010
③	Piston Pin	25406000	24806301
④	Piston Pin Retainer	24817100	24817100
⑤	Connecting Rod	25305002	25305002
⑥	Carburetor (Type 40B)	25681010	25681010
⑥-1	Carburetor Rubber Gasket	46215000	46215000
⑥-2	Carburetor Retaining Screw (2pcs.)	25081700	25081700
⑦	Propeller Nut	23210007	23210007
⑧	Propeller Hub	23209003	23209003
⑨	Drive Hub	25608000	25608000
⑩	Thrust Washer	46120000	46120000
⑪	Crankshaft Ball Bearing (F)	26731002	26731002
⑫	Crankcase	25601000	25601100
⑬	Crankshaft Ball Bearing (R)	26730005	26730005
⑭	Crankshaft	25602020	25602020
⑮	Gasket Set	25614000	25614010
⑯	Cover Plate Assembly	25607000	25607000
⑯-1	Cover Plate Body	25607100	25607100
⑯-2	Fuel Outlet	22681953	22681953
⑯-3	Needle	22681980	22681980
⑯-4	"O"Ring	24981837	24981837
⑯-5	Set Screw	26381501	26381501
⑯-6	Needle Valve Holder Assembly	27381940	27381940
⑯-7	Ratchet Spring	26711305	26711305
⑰	Screw Set	25613000	25613000
	873 Silencer	25425000	25425000
	Pressure Fitting	22681957	22681957
	Assembly Screw	25425310	25425310
	Retaining Screw (2pcs.)	25425400	25425400

Specifications are subject to alteration for improvement without notice.

EXPLODED VIEW (61FX)



* Type of screw

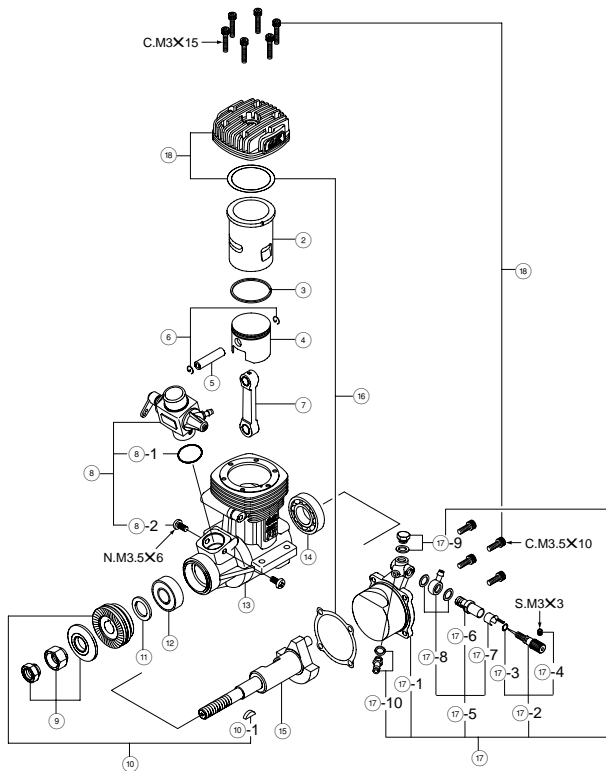
C...Cap Screw F...Flat Head Screw N...Round Head Screw S...Set Screw

ENGINEN PARTS LIST (61FX)

No.	Code No.	Description
①	27754000	Cylinder Head
②	27753000	Cylinder & Piston Assembly
③	26606008	Piston Pin
④	27917000	Piston Pin Retainer
⑤	26025000	Connecting Rod
⑥	27783000	Carburetor (Type 60C)
⑥-1	46215000	Carburetor Rubber Gasket
⑥-2	25081700	Carburetor Retaining Screw
⑦	45010002	Propeller Nut
⑧	28009002	Propeller Washer
⑨	27758000	Drive Hub
⑩	29320000	Thrust Washer
⑪	27731000	Crankshaft Ball Bearing (F)
⑫	27751000	Crankcase
⑬	29030001	Crankshaft Ball Bearing (R)
⑭	27752000	Crankshaft
⑮	27914000	Gasket Set
⑯	27757000	Cover Plate Assembly
⑯-1	27757100	Cover Plate Body
⑯-2	22681953	Fuel Outlet
⑯-3	27757010	Fuel Inlet Assembly
⑯-4	46181950	Fuel Inlet
⑯-5	27757030	Inlet Holder
⑯-6	22681980	Needle
⑯-7	24981837	"O"Ring
⑯-8	26381501	Set Screw
⑯-9	27783940	Needle Valve Holder Assembly
⑯-10	21281800	"O"Ring
⑯-11	26711305	Ratchet Spring
⑰	27913000	Screw Set
	71608001	Glow Plug No.8
	26028000	E-4010 Silencer
	22681953	Pressure Fitting
	26028100	Assembly Screw
	26625210	Retaining Screw (2pcs.)

Specifications are subject to alteration for improvement without notice.

EXPLODED VIEW (91FXRING)



—32—

* Type of screw

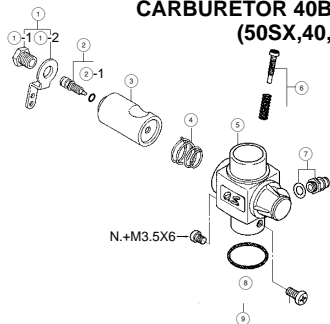
C...Cap Screw F...Flat Head Screw N...Round Head Screw S...Set Screw

ENGINE PARTS LIST (91FX RING)

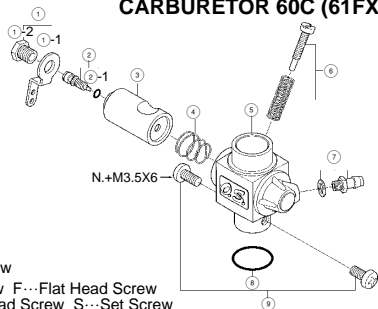
No.	Code No.	Description
①	29504000	Cylinder Head
②	29503100	Cylinder Liner
③	29503400	Piston Ring
④	29053200	Piston
⑤	45406000	Piston Pin
⑥	27917000	Piston Pin Retainers (2)
⑦	29505000	Connecting Rod
⑧	29581000	Carburetor (Type 60F)
⑧-1	29015019	Carburetor Gasket
⑧-2	25081700	Carburetor Retaining Screw (2pcs.)
⑨	45910100	Propeller Lock Nut Set
⑩	29508000	Drive Hub
⑩-1	29008219	Woodruff Key
⑪	46120000	Thrust Washer
⑫	26731002	Crankshaft Ball Bearing (F)
⑬	29501000	Crankcase
⑭	29030001	Crankshaft Ball Bearing (R)
⑮	29502000	Crankshaft
⑯	29514000	Gasket Set
⑰	29507000	Cover Plate Assembly
⑰-1	29507100	Cover Plate Body
⑰-2	24081970	Needle
⑰-3	24981837	"O"Ring
⑰-4	26381501	Set Screw
⑰-5	46181940	Needle Valve Holder Assembly
⑰-6	46181941	Needle Valve Holder
⑰-7	26711305	Ratchet Spring
⑰-8	46181950	Fuel Inlet
⑰-9	22881950	Plug Screw
⑰-10	22681953	Fuel Outlet
⑱	29513000	Screw Set
	71608001	Glow Plug No.8
	29525000	E-4020 Silencer Assembly
	29525100	Assembly Screw
	26625210	Retaining Screw (2pcs.)
	22681957	Pressure Fitting
	72200080	Needle Valve Extension Cable Set

Specifications are subject to alteration for improvement without notice.

CARBURETOR 40B (50SX,40,46FX)



CARBURETOR 60C (61FX)



* Type of screw

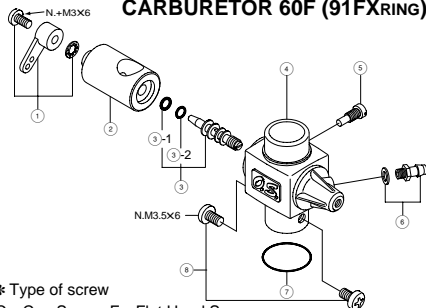
C...Cap Screw F...Flat Head Screw

N...Round Head Screw S...Set Screw

No.	Code No.	Description
①	22781401	Throttle Lever Assembly
①-1	22781420	Throttle Lever Fixing Screw
①-2	22781411	Throttle Lever
②	27783600	Mixture Control Valve
②-1	22781800	"O"Ring
③	25681200	Carburettor Rotor
④	26781506	Rotor Spring
⑤	25681100	Carburettor Body
⑥	25681620	Throttle Stop Screw (W/ Spring)
⑦	22681953	Fuel Inlet (W/Washer)
⑧	46215000	Carburettor Gasket
⑨	25081700	Carburettor Fixing Screw

No.	Code No.	Description
①	22781401	Throttle Lever Assembly
①-1	22781411	Throttle Lever
①-2	22781420	Throttle Lever Fixing Screw
②	27783600	Mixture Control Valve
②-1	22781800	"O"Ring
③	27783200	Carburettor Rotor
④	26781506	Rotor Spring
⑤	27783100	Carburettor Body
⑥	25681620	Throttle Stop Screw (W/ Spring)
⑦	22681953	Fuel Inlet (W/Washer)
⑧	46215000	Carburetor Gasket
⑨	25081700	Carburetor Retaining Screw

CARBURETOR 60F (91FXRING)



* Type of screw

C...Cap Screw F...Flat Head Screw
N...Round Head Screw S...Set Screw

No.	Code No.	Description
①	27881400	Throttle Lever Assembly
②	29581200	Carburettor Rotor
③	45582300	Mixture Control Valve Assembly
③-1	46066319	"O" Ring (L)
③-2	24881824	"O" Ring (S)
④	29581100	Carburettor Body
⑤	45581820	Rotor Guide Screw
⑥	22681953	Fuel Inlet (W/Washer)
⑦	29015019	Carburetor Gasket
⑧	25081700	Carburetor Retaining Screw (2pcs.)

Specifications are subject to alteration for improvement without notice.

O.S. GENUINE PARTS & ACCESSORIES

■ O.S. GLOW PLUGS

No.8
(71608001)



A3
(71605300)

A5
(71605100)



■ SPINNER NUT



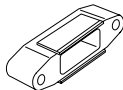
Code No.	Size	Type of Engine
23024009	1/4"-28(L)	50SX. 40. 46FX
45024000	5/16"-24	61FX. 91FX

■ LONG PROPELLER NUT SETS



Code No.	Size	Type of Engine
73101000	1/4"-28	50SX. 40. 46FX
73101010	5/16"-24	61FX. 91FX

■ SILENCER EXTENSION ADAPTORS



Code No.	Type of Engine•Silencer
25425600	50SX. 40.46FX(873)
26625340	61FX(E-4010).91FX(E-4020)
26625500	Length 35mm 61FX(E-4010).91FX(E-4020)

■ SILENCER EXHAUST ADAPTORS



Code No.	Type of Engine•Silencer
25425500	50SX. 40.46FX(873)
26625410	61FX(E-4010). 91FX(E-4020)

■ PROPELLER NUT SETS FOR TRUTURN SPINNERS

(73101020)



For 50SX. 40.46FX

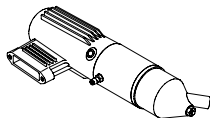
■ **EXHAUST
HEADER PIPE**

(72101230)



For 61FX-91FX

■ **SUPER SILENCERS**



Code No.	Size	Type of Engine
25425020	873S	50SX. 40-46FX
26028010	E-4010S	61FX

■ **O.S. SILICONE
TUBE ASSEMBLY**



Code No.	Type of Engine
72105337	40.46FX
72101338	61FX.91FX

■ **SUPER FI LTER**
(72403050)

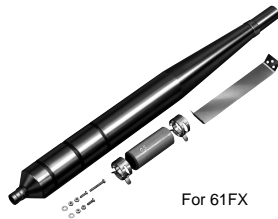


■ **LOCK WASHER**
(10Sets)



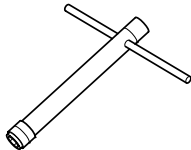
Code No.	Size	Type of Engine
55500002	M3	50SX. 40.46FX
55500003	M4	61FX.91FX

■ **T-4010 TUNED SILENCER**
(72101120)



For 61FX

■ **LONG SOCKET WRENCH
WITH PLUG GRIP**
(71521000)



■ **BUBBLE ELIMINATING
TANK WEIGHT**
(71531000)

(71531000)

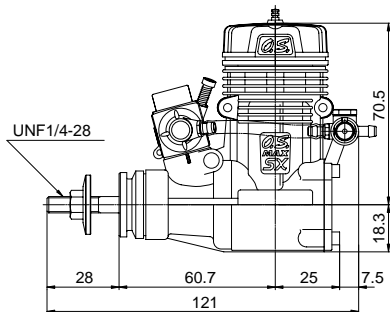
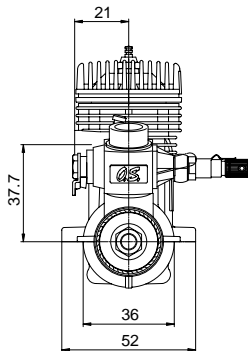
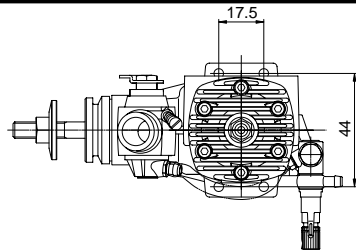


MAX-50SXRING

Dimensions(mm)

SPECIFICATIONS

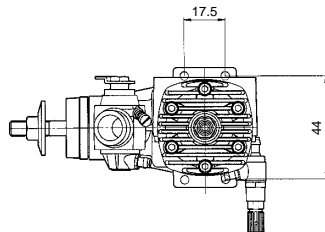
■ Displacement	8.17 cc (0.499 cu.in.)
■ Bore	22.0mm (0.866 in.)
■ Stroke	21.5mm (0.847 in.)
■ Practical R.P.M.	2,000~20,000 r.p.m.
■ Power output	1.8 bhp / 17,000 r.p.m.
■ Weight	390g (13.76 oz.)



THREE VIEW DRAWING

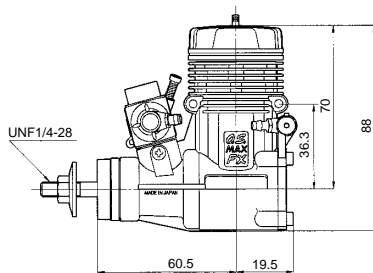
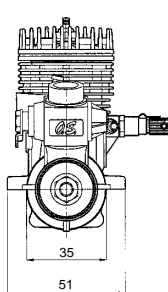
MAX-40FX SPECIFICATIONS

■ Displacement	6.47 cc (0.395 cu.in.)
■ Bore	20.5mm (0.807 in.)
■ Stroke	19.6mm (0.772 in.)
■ Practical R.P.M.	2,000~17,000 r.p.m.
■ Power output	1.36 bhp / 16,000 r.p.m.
■ Weight	386g (13.6 oz.)



MAX-46FX SPECIFICATIONS

■ Displacement	7.45 cc (0.455 cu.in.)
■ Bore	22.0mm (0.866 in.)
■ Stroke	19.6mm (0.772 in.)
■ Practical R.P.M.	2,500~17,000 r.p.m.
■ Power output	1.62 bhp / 16,000 r.p.m.
■ Weight	375g (13.2 oz.)

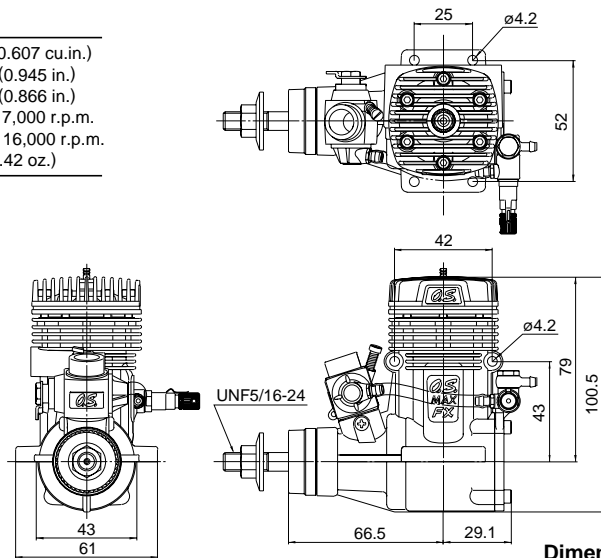


Dimensions(mm)

MAX-61FX

SPECIFICATIONS

■ Displacement	9.95 cc (0.607 cu.in.)
■ Bore	24.0mm (0.945 in.)
■ Stroke	22.0mm (0.866 in.)
■ Practical R.P.M.	2,000~17,000 r.p.m.
■ Power output	1.9 bhp / 16,000 r.p.m.
■ Weight	550g (19.42 oz.)

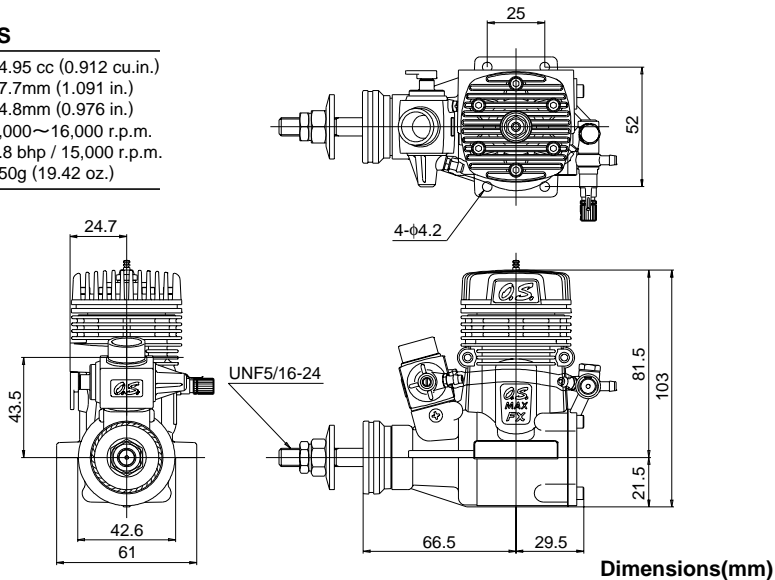


Dimensions(mm)

MAX-91FXRING

SPECIFICATIONS

■ Displacement	14.95 cc (0.912 cu.in.)
■ Bore	27.7mm (1.091 in.)
■ Stroke	24.8mm (0.976 in.)
■ Practical R.P.M.	2,000~16,000 r.p.m.
■ Power output	2.8 bhp / 15,000 r.p.m.
■ Weight	550g (19.42 oz.)



Dimensions(mm)



O.S. ENGINES MFG.CO.,LTD.

6-15 3-Chome Imagawa Higashisumiyoshi-ku
Osaka 546-0003, Japan TEL. (06) 6702-0225

FAX. (06) 6704-2722

URL : <http://www.os-engines.co.jp>

© Copyright 2001 by O.S.Engines Mfg. Co., Ltd. All rights reserved. Printed in Japan.

110101